

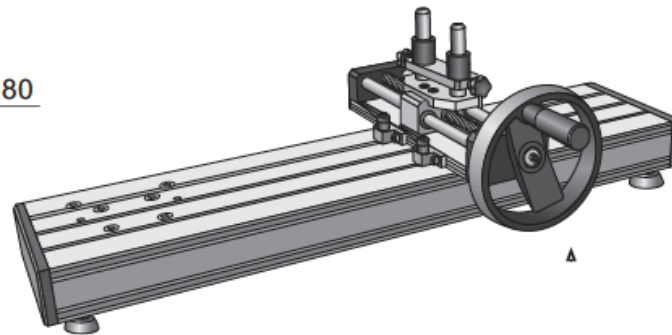
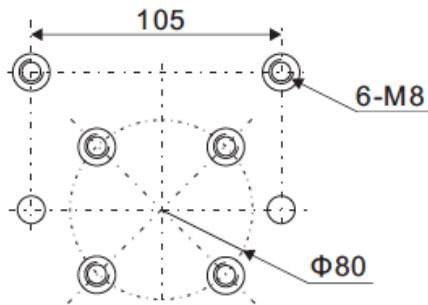
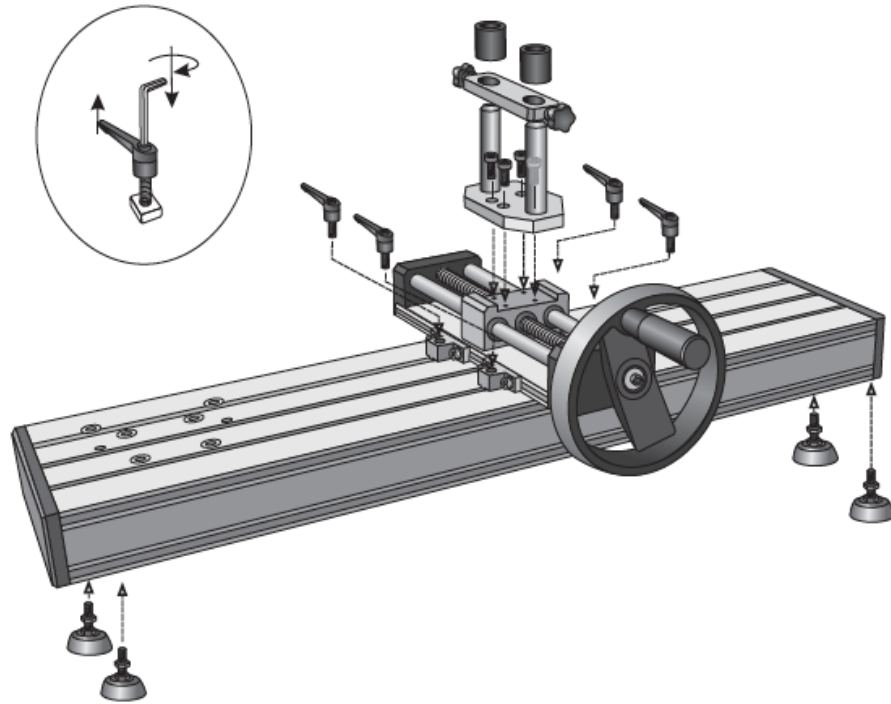
TTST Horizontal Torque Test Stands

Operation Manual



TTST-1 & TTST-2 Test Stand Specifications

Models	Arm Length (mm)	Loading Travel	Loading Force (max.)	Weight lb (kg)
TTST-1	150 - 600	7.9" (200 mm)	225 lb (102 kg)	27 (12)
TTST-2	150 - 1100			35 (16)



NIDEC-SHIMPO CORPORATION

INSTRUMENTS DIVISION • Phone: (800) 237-7079 • Fax: (630) 924-0342 • www.shimpoint.com