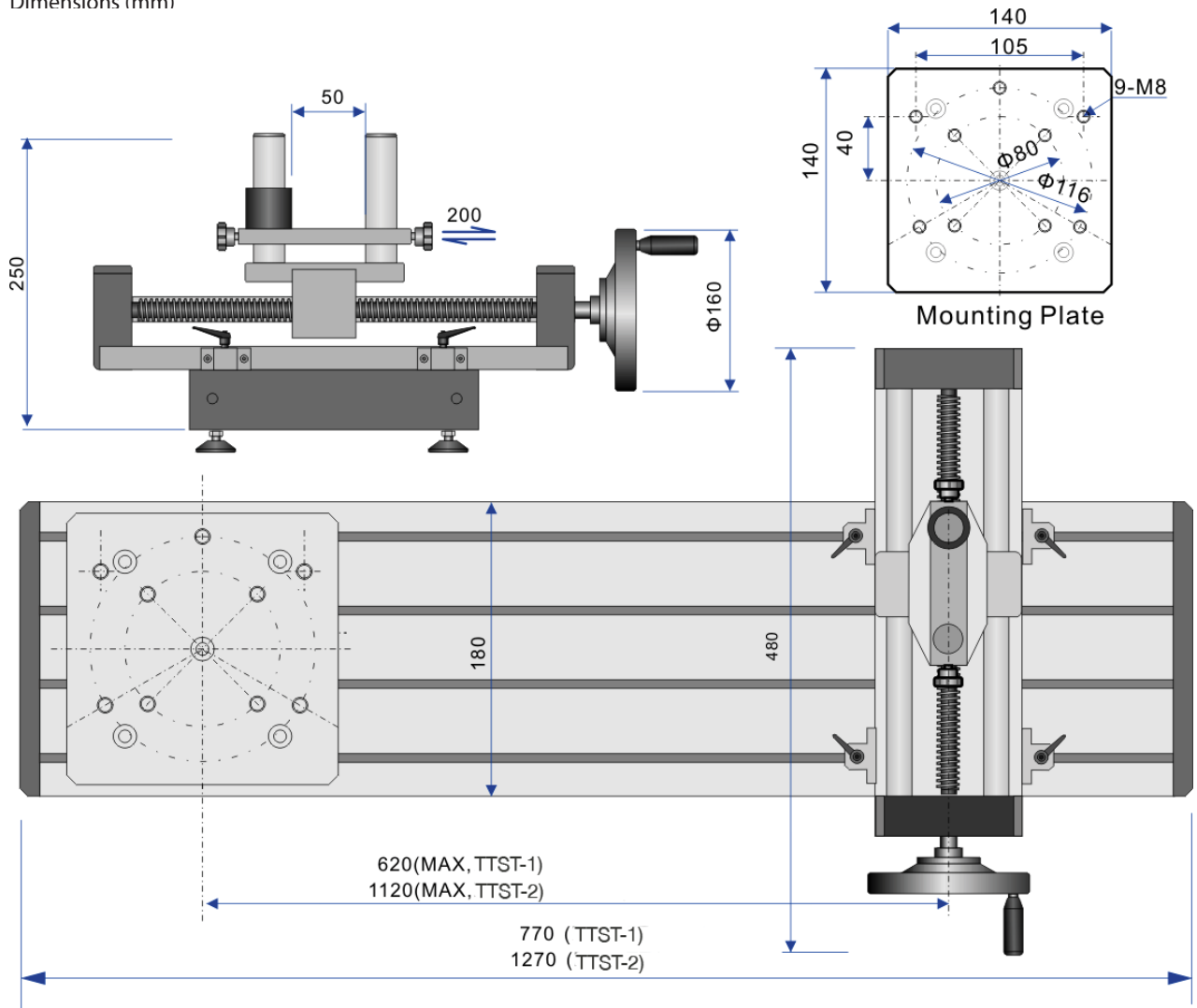


TTST-1 and TTST-2 DIMENSIONS

Dimensions (mm)



NIDEC-SHIMPO CORPORATION

INSTRUMENTS DIVISION • Phone: (800) 237-7079 • Fax: (630) 924-0342 • www.shimpoint.com