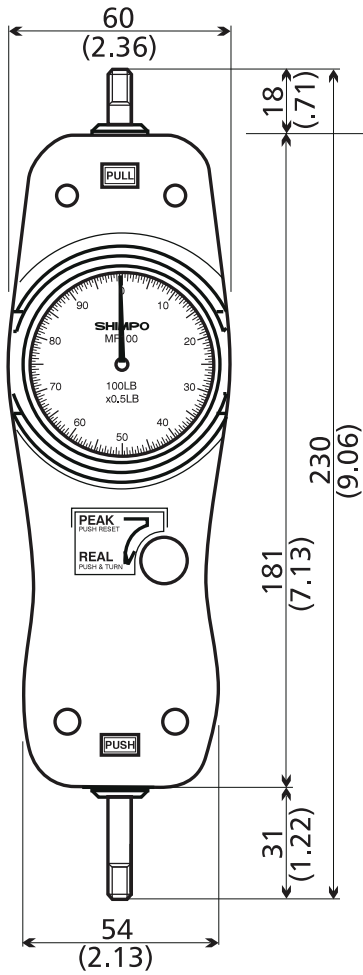
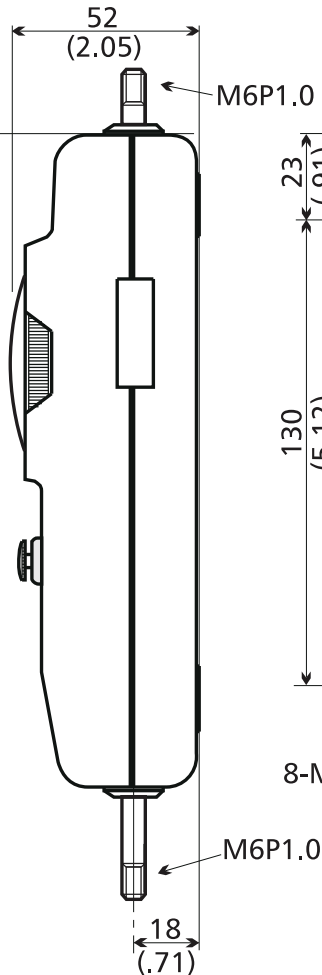


# MF DIMENSIONS

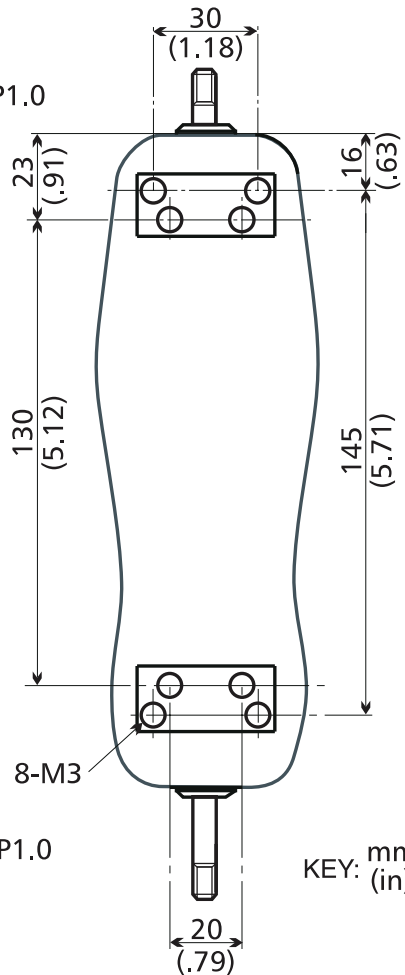
**FRONT VIEW**



**RIGHT SIDE VIEW**



**REAR VIEW**



KEY: mm  
(in)

**NIDEC-SHIMPO CORPORATION**

**INSTRUMENTS DIVISION** • Phone: (800) 237-7079 • Fax: (630) 924-0342 • [www.shimpoint.com](http://www.shimpoint.com)