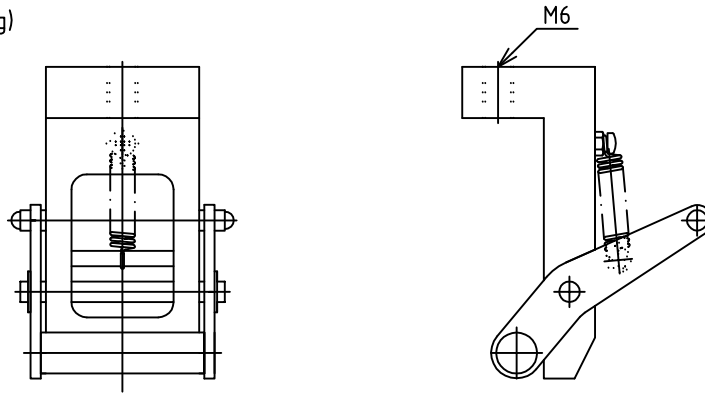


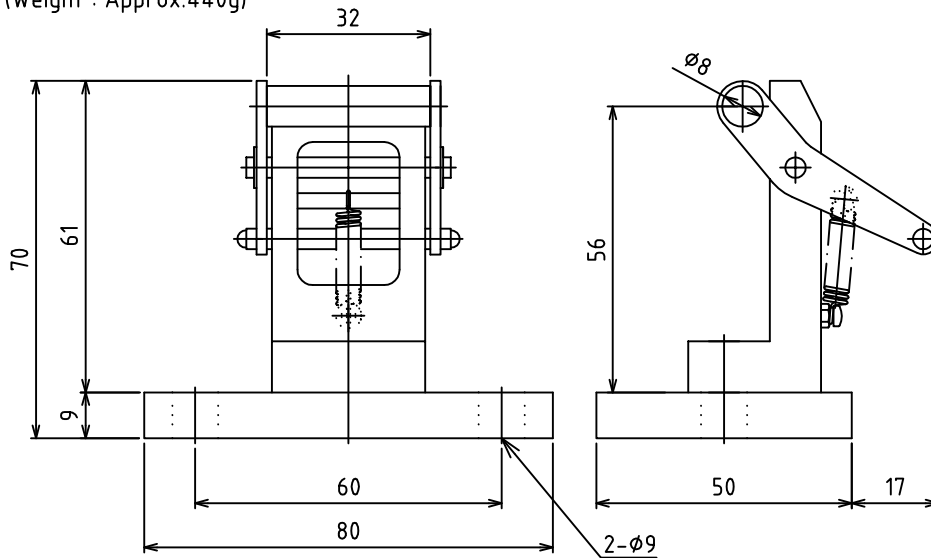
Force Gauge side

(Weight : Approx.170g)



Stand side

(Weight : Approx.440g)



Note1. This product contains both parts "force gauge side" and "stand side".

APPROVED Toshi	UNITS mm	TITLE Roller Chuck
CHECKED MO	SCALE Free	
DRAWN YS		MODEL GC-60
DATE 01/22/2018		ORIGINAL DRAWING NO. EJ450063
NIDEC-SHIMPO AMERICA CORP Glendale Heights, IL 60139, U.S.A.		DRAWING NO. BGBM083