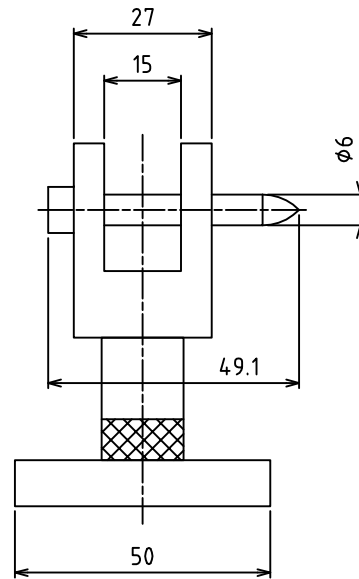
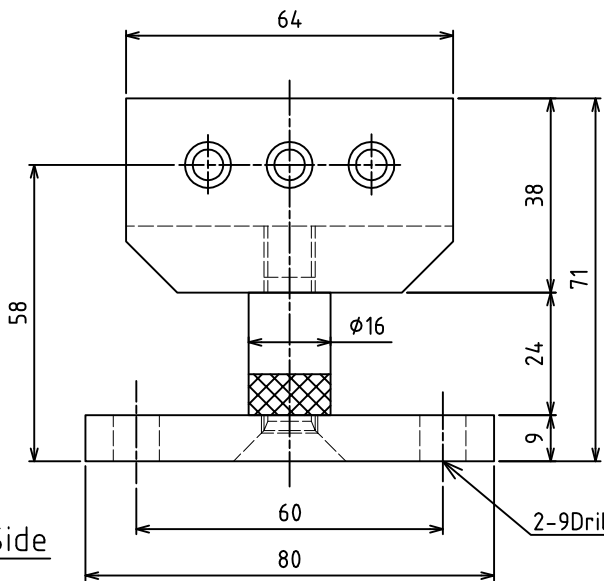
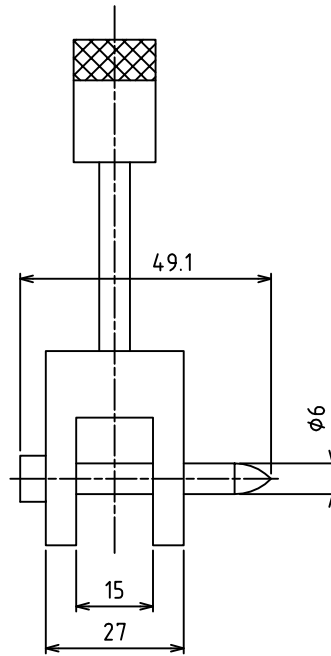
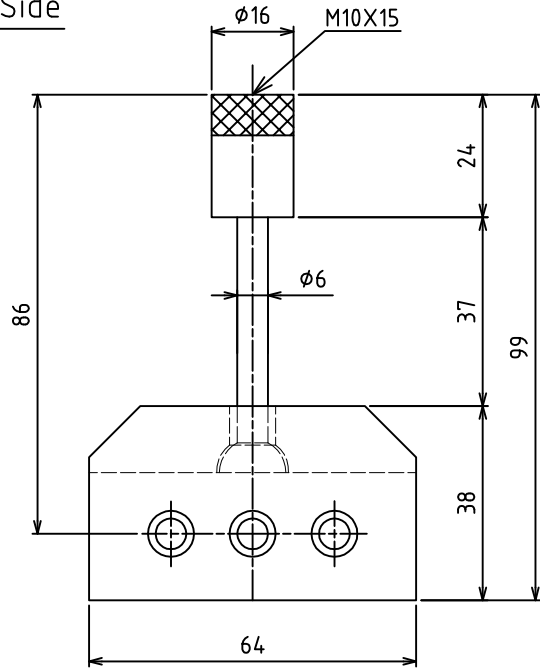


Gauge Side



Stand Side

| | | |
|--|---------------|---|
| APPROVED Toshi | UNITS mm | TITLE Cord & Twine Grip Bottom Base |
| CHECKED MO | SCALE Free | |
| DRAWN YS | | MODEL FGC/N-H, FGV/F-H |
| DATE 06/06/2017 | | ORIGINAL DRAWING NO. EJ350475-0 |
| NIDEC-SHIMPO AMERICA CORP Itasca, IL 60143, USA Tel: (630)924-7138 | | DRAWING NO. BGBM080 |