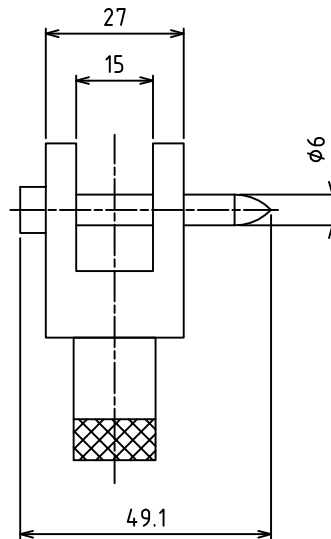
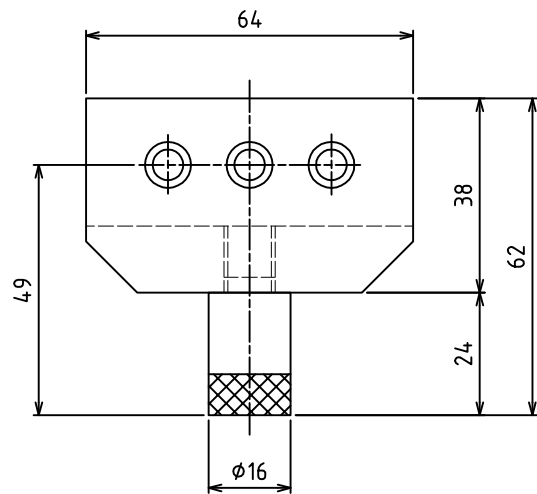
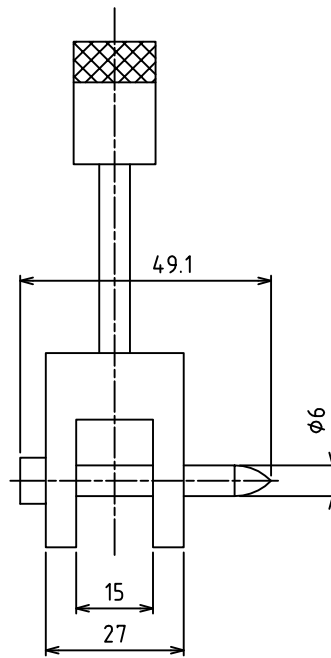
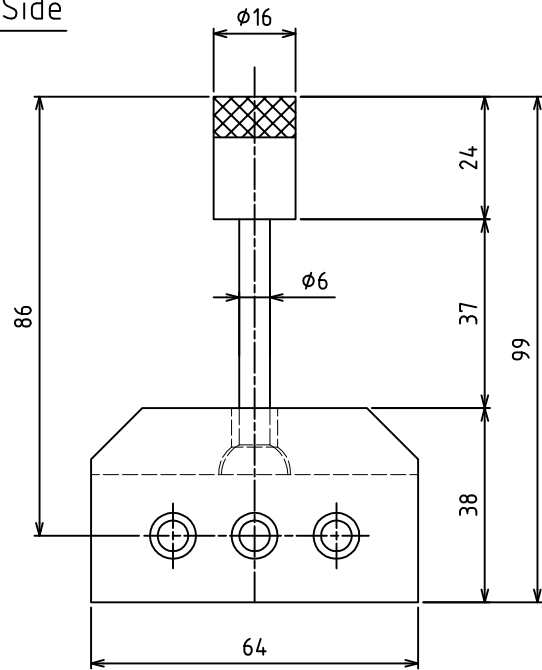


Gauge Side



Stand Side

APPROVED Toshi	UNITS mm	TITLE Cord & Twine Grip Upper
CHECKED MO	SCALE Free	
DRAWN YS		MODEL FGC/N-H, FGV/F-H
DATE 06/06/2017		ORIGINAL DRAWING NO. EJ350474-0
NIDEC-SHIMPO AMERICA CORP Itasca, IL 60143, USA Tel: (630)924-7138		DRAWING NO. BGBM079