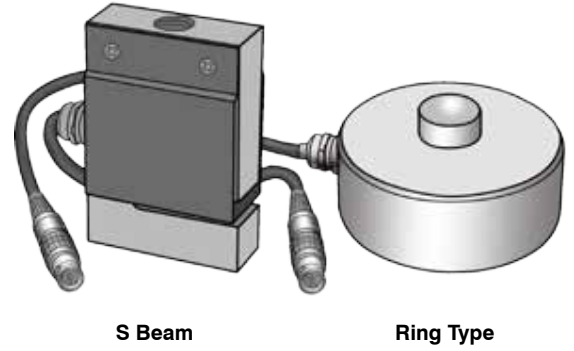
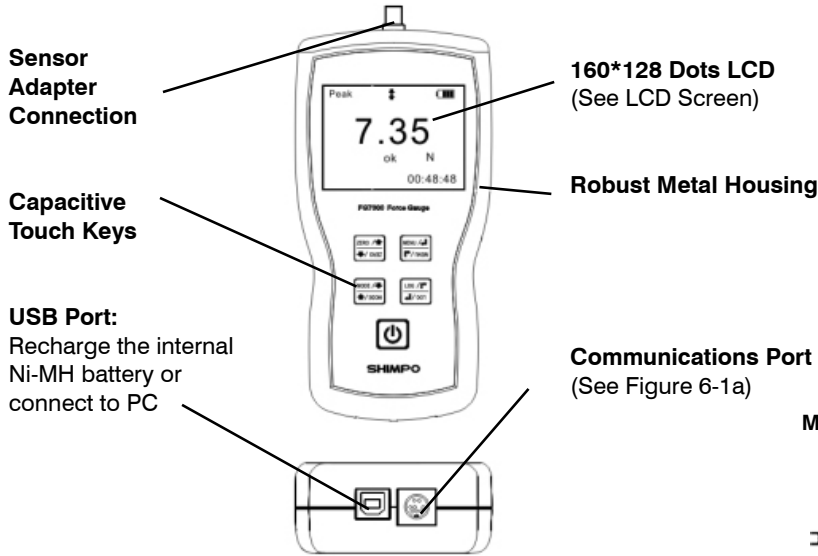
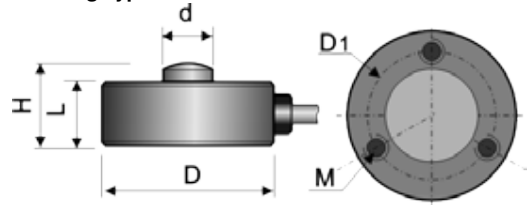


# FG-7000L DIMENSIONS

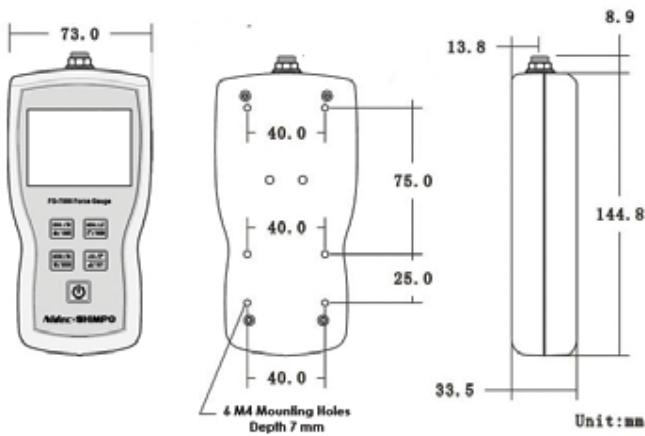
## 7.2 Diagram



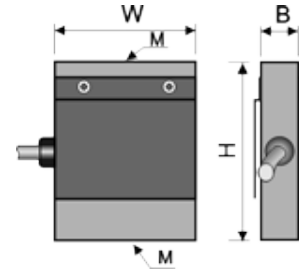
### Mini Ring Type



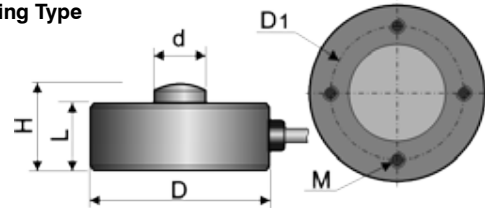
## 7.3 Dimensions



### S-Beam



### Ring Type



### S-Beam Load Cell

| Capacity | Dimensions |     |      |     |
|----------|------------|-----|------|-----|
|          | W          | H   | B    | M   |
| 1 kN     | 51         | 76  | 19   | M12 |
| 2 kN     |            |     |      |     |
| 5 kN     |            |     |      |     |
| 10 kN    |            |     |      |     |
| 20 kN    | 76.2       | 108 | 25.4 | M18 |
| 20 kN    |            |     |      |     |

### Ring Load Cell

| Capacity | Dimensions (mm) |    |    |    |     |       |
|----------|-----------------|----|----|----|-----|-------|
|          | D               | d  | L  | H  | D1  | M     |
| 10 kN    | 82              | 22 | 32 | 44 | 68  | 4-M8  |
| 20 kN    |                 |    |    |    |     |       |
| 50 kN    |                 |    |    |    |     |       |
| 100 kN   |                 |    |    |    |     |       |
| 200 kN   | 126             | 35 | 40 | 54 | 101 | 4-M10 |

### Mini Ring Load Cell

| Capacity    | Dimensions (mm) |    |    |    |      |       |
|-------------|-----------------|----|----|----|------|-------|
|             | D               | d  | L  | H  | D1   | M     |
| 1, 5, 10 kN | 32              | 8  | 14 | 16 | 24.5 | 3-M5  |
| 50 kN       | 38              | 11 | 14 | 16 | 30   | 3-M6  |
| 100 kN      | 51              | 15 | 22 | 25 | 41   | 4-M10 |