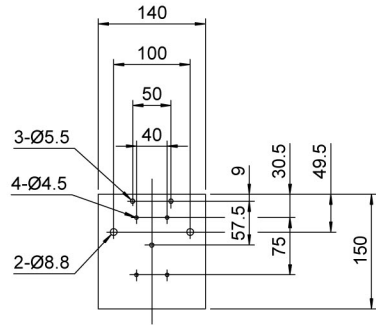
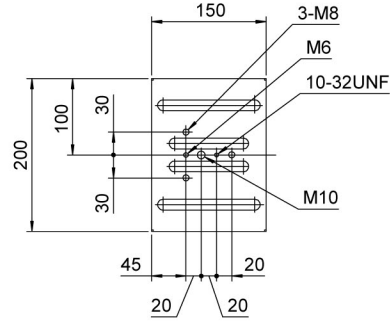


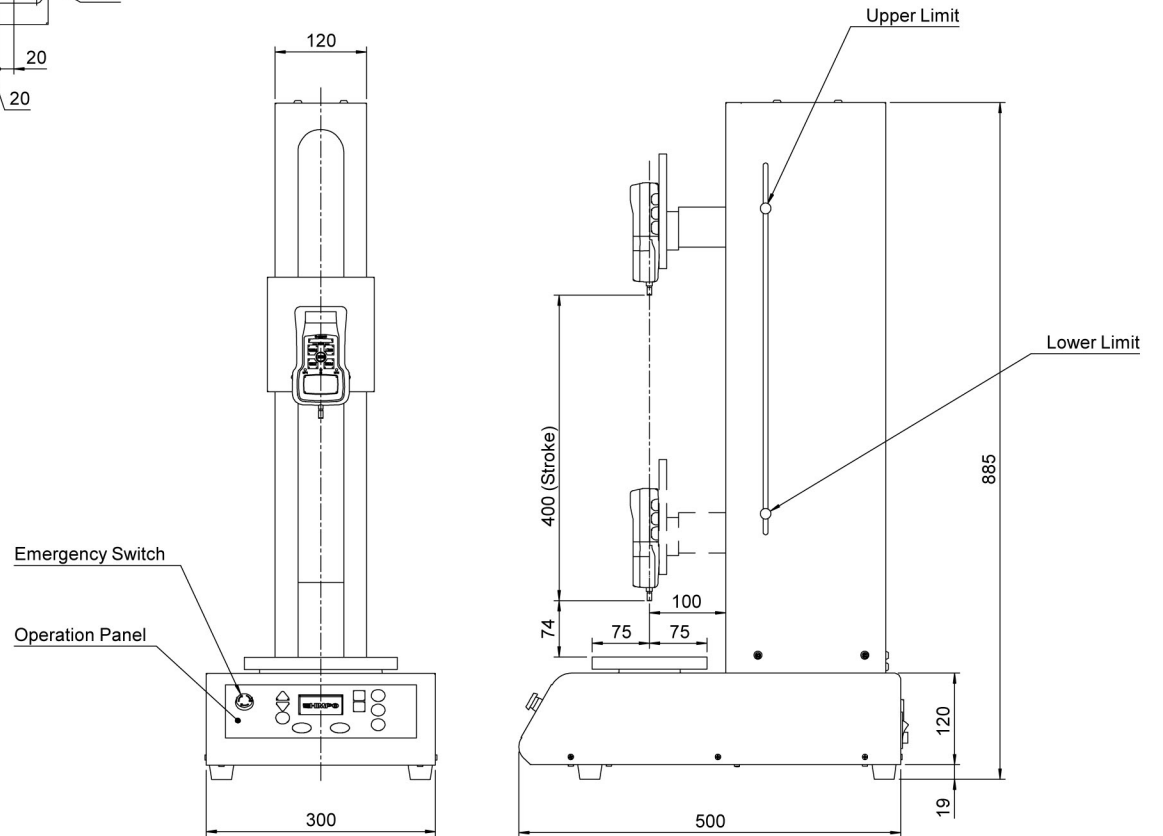
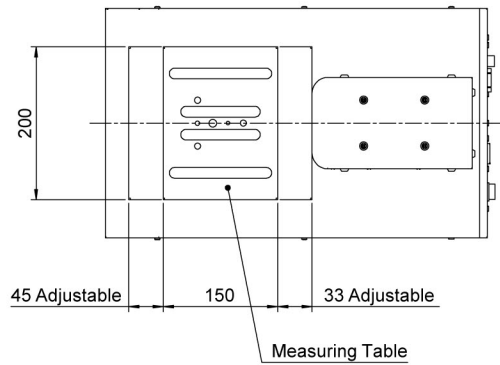
Force Gauge Installation Bracket Parts Details



Measuring Table Parts Details



Measuring Table Details



	APPROVED BY <b>Toshi</b>	<b>NIDEC-SHIMPO AMERICA CORP</b> Itasca, IL 60143, USA Tel: (630)924-7138	
SCALE <b>Free</b>	CHECKED BY <b>Tomo</b>		
UNITS <b>mm</b>	DRAWN BY <b>TO</b>	MODEL <b>FGS-220VC</b>	
DATE <b>11/03/14</b>		DRAWING NO. <b>JOM0034</b>	REV. MARK