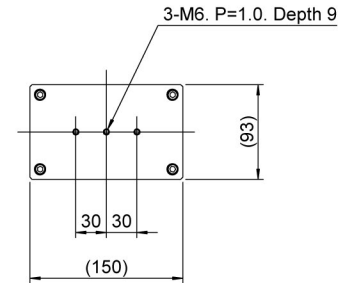
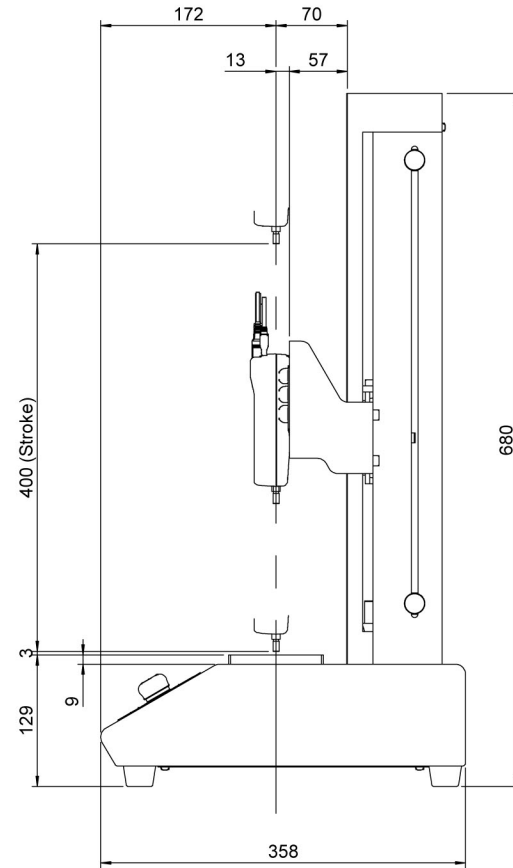
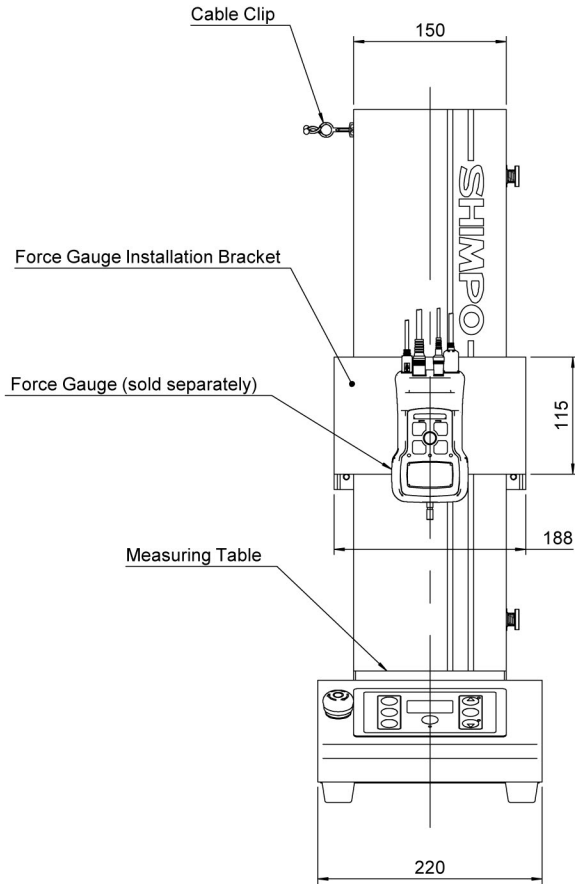


Force Gauge Installation Bracket Parts Details



Measuring Table Parts Details

	APPROVED BY Toshi	NIDEC-SHIMPO AMERICA CORP Itasca, IL 60143, USA Tel: (630)924-7138	
SCALE Free	CHECKED BY Tomo		
UNITS mm	DRAWN BY TO	MODEL FGS-100E	
DATE 11/03/14		DRAWING NO. JOM0029	REV. MARK