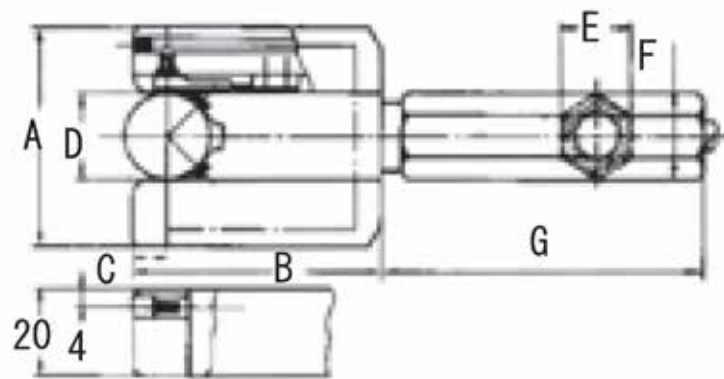


Outside Head for Air Gauge

POK Outside Diameter Air Probe The POK style air probe sensor is specifically designed for use on objects with rough surface measurements. Typical non-contact air gauge micrometers will sense every imperfection in a rough surface, providing inaccurate readings of the actual OD to be measured. The POK with its spring-loaded, floating style contact point will act as an air regulator corresponding to the rough grooves and negate the valleys that would normally be sensed. If the roughness of the object is greater than 6S (Ry 6.3S) the POK style is the ideal solution provided the peaks and valleys are less than 5 mm (0.196") wide. The carbide spring-loaded floating point is located at the tip of the measurement head.



Sensor Probe Dimensions

Size D	A	B	C	E	F	G
4 to 10 mm	D+30	51	6	14	16.2	90
10 to 14 mm	D+30	51	6	14	16.2	90
14 to 24 mm	D+30	58	8	17	19.6	90
24 to 40 mm	D+30	62	8	17	19.6	90
40 to 55 mm	D+30	68	8	17	19.6	90
55 to 70 mm	D+30	76	8	21	24.3	110