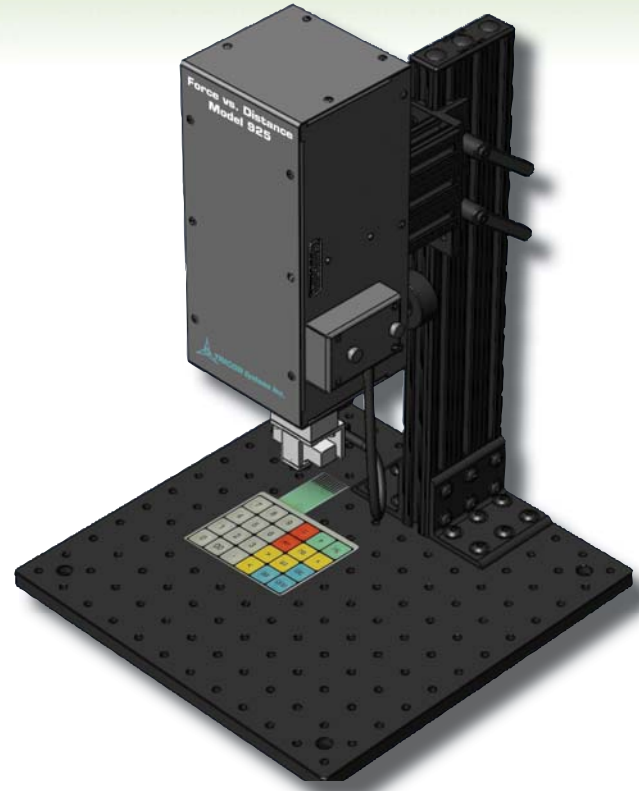


925 Force Distance Tester

The Model 925 is invaluable as a test tool for qualifying first article product, audit testing, engineering investigation and life study tests. The 925 is provided with a user friendly application software that runs on Microsoft Windows™-based PCs. The data is output in in Microsoft Excel™ that allows easy import of data for statistical process control (SPC).

Interchangeable force sensors with ranges up to 9 kg (20 lb.) are available. The Model 925 also permits the user to change the probe tip. The test station performs a calibration on the complete test fixture. This calibration removes the deflection and compression effects that can reduce reading accuracy. The calibration is performed over the range of forces specified for the specifically configured setup.



Features

- Accurate, fast, repeatable testing of distance and force parameters
- PC-Windows based
- Provides in-depth test data to fulfill customer requirements
- Up to 5,000 data points per test
- Displays test data in tabular or graphic formats
- Head can be mounted in various way to meet user's production line needs
- Displays test data in tabular or graphic formats
- Head can be mounted in various ways to meet user's production line needs
- Typically reduces test times by 50% or more
- Eliminates deflection errors through automatic deflection compensation

925 Specifications

Force	Range	0 to 3.60 kg (0 to 127 oz); other available ranges include 0-75.0 g (0-2.65 oz), 0-360 g (0-12.7 oz), 0-2.00 kg (0-70.6 oz) and 0-9.00 kg (0-20.0 lbs)
	Resolution	1 g (0.035 oz)
	Abs Accuracy	±0.5% of full scale max
	Repeatability	±0.25% of full scale max
Displacement	Range	0 to 62.51 mm (0 to 2.46 inches) programmable
	Resolution	(0.0001 inch) programmable
	Abs Accuracy	max ±0.001
	Repeatability	max ±0.001
Test Speed	0.001 in/sec to 0.0492 in/sec (0.0245 to 1.250 mm)	
Power Requirements	115/220 V ac, 50/60 Hz, 230 VA	
Test Head (Control Unit)	9 x 4 x 4 inches (22.9 x 10.6 x 10.6 cm) 7 lb (3.6 kg)	
Software (Only)	Model 925 Force-Displacement for Windows™ control and analysis software package requires an IBM-compatible PC running Windows™ XP or later. USB interface.	

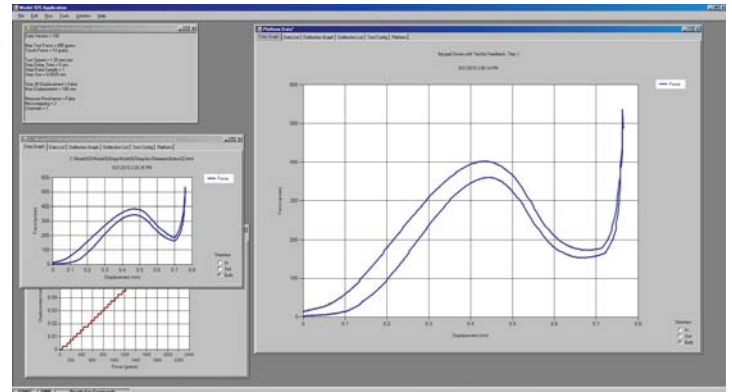
Ordering Details

925	Model 925 Force-Distance Tester Application Software and one range sensor. (Specify required range per below options.) 8" x 8" Table
Force Sensor Ranges: One included with each test station. Note: Additional sensors may be ordered separately.	
01	(0-3.6 kg; 1 g resolution)
02	(0-360 g; 0.1 g resolution)
03	(0-75 g; 0.1 g resolution)
05	(0-750 g; 0.2 g resolution)
06	(0-2 kg; 0.5 g resolution)
07	(0-9 kg; 2.5 g resolution) 20 lb

Options

130	12" x 12"
140	12" x 18"
150	12" x 24"

Windows™ and Excel are registered trademarks of MicroSoft Corporation.



Force-Distance Graph

The Model 925 is a low cost force-distance tester. It communicates with a Windows™-based PC to send data into an Excel format. The data can then be viewed and analyzed in tabular or graphical format. Once in the Excel format, the data can be transferred or used in any of the multiple Excel operations. This line of displacement-force test stations has a positional resolution of 0.0025 mm (0.0001 inches). Test departments will appreciate the high accuracy readings provided over the complete travel range.

NIDEC-SHIMPO CORPORATION

INSTRUMENTS DIVISION • Phone: (800) 237-7079 • Fax: (630) 924-0342 • www.shimpoint.com